



ViscoSite Introduction

- Measures Viscosity in Liquid-Phase Samples
- User-Defined Units (eg. cP, cSt, mPa)
- Manufactured & Supported From Massachusetts, USA
- Backed by 40 Years of Experience in Tough Applications

Rapid Return-On-Investment

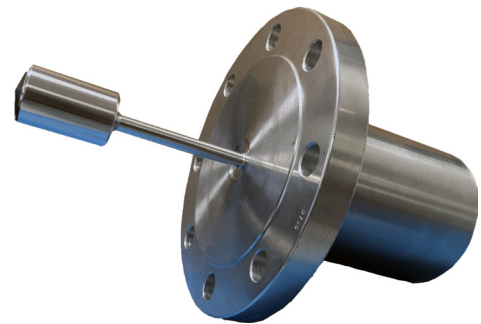
- Never Miss Unexpected Upsets
- Guaranteed Contractual Compliance
- Automate Custody Transfer Validation

Measurement Certainty

- Zero Maintenance!
- Explosion-Proof Sensors
- Samples Up to 400°C and 2,500 psi
- Customized Materials of Construction
- Up to 100 m Cable With Custom Connections
- Teflon Coating & Sensor Shield Protection

Key Applications

- Refinery Vis-Breaking
- Roofing Asphalt
- Chocolate Production
- Dairy Processing
- Titanium Dioxide
- Polymers
- Lubricants
- Waxes / Adhesives
- Ink / Dye / Paint
- Fertilizer
- Ceramic Cement
- Personal Care Products

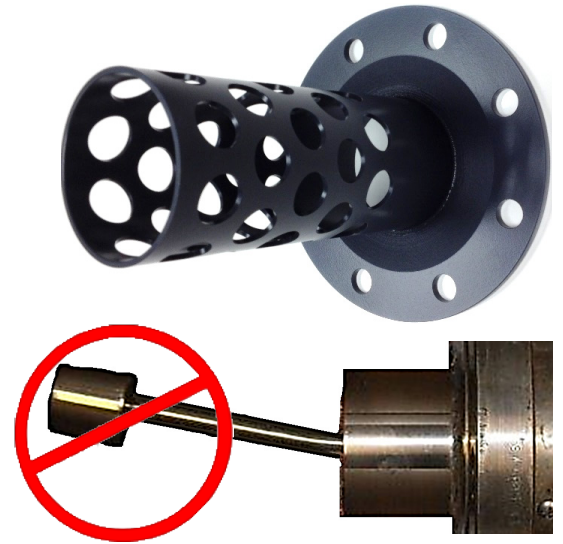


ViscoSite™

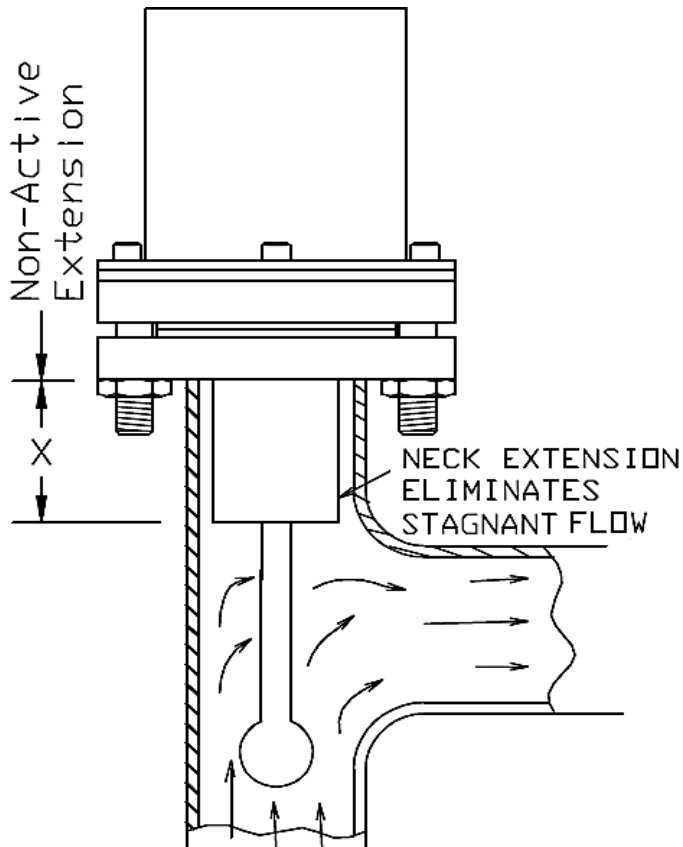
Teflon Coating Ensures No Maintenance Required



Sensor Shield Protection



Installation Method Avoids Stagnant Flow



Rugged High Pressure & Temperature Sensors

